



# Options for Commander SK

**Michael Nakulski**  
**September 2004**

## INDEX

- Page 3 - Options for Commander SK**
- Page 4 - LED Remote Mounting Keypad**
- Page 5 - LCD Remote Mounting Keypad**
- Page 6 - Parameter Memory Stick**
- Page 7 - Fieldbus Option Modules**
- Page 8 - Extended I/O**
- Page 9 - Extended I/O with Real-time-clock**
- Page 10 - Commissioning Software**
- Page 11 - PLC Function Programming Software**
- Page 12 - PLC Function Stick**
- Page 13 - Connecting Cable for PC**
- Page 14 - Additional EMC Filters**
- Page 15 - Top NEMA 1 Cover**
- Page 16 - Bottom Glanding Metal Cover**

## Options for Commander SK

Commander SK has many option possibilities which compliment the standard features and functions making it the most flexible general purpose AC drive.

All the options described on the following pages are supported by all three frame sizes of Commander SK. The exception is the SM range of option modules which is only supported by sizes B & C.



| Size                | A               | B              | C             |
|---------------------|-----------------|----------------|---------------|
| 200 to 240V +/-10%  | 0.25 to 0.75 kW | 1.1 to 1.5 kW  | 2.2 kW        |
| 380 to 480 V +/-10% | -               | 0.37 to 1.5 kW | 2.2 to 4.0 kW |

## LED Remote Mounting Keypad

Ordering Code: SK-Keypad Remote

### Description:

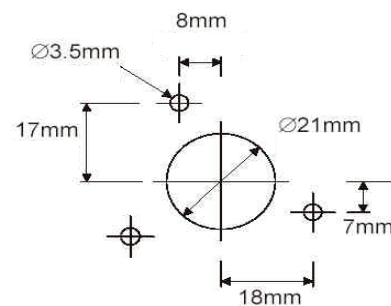
Remote panel mounting LED keypad display to IP54 (NEMA12) with additional function key.

- Selectable function key with LED to indicate function selected.
  - Hand-Off-Auto, Jog, Reverse, etc.
- Connects to the RS485 Modbus RTU port on the drive via a standard RJ45 connector
- Connecting cable (up to 30m)
- Simple panel cut-out - 21mm hole
- Fixed keypad on drive remains active.



### Compatibility:

- **Commander SK only – all sizes**





## LCD Remote Mounting Keypad

Ordering Code: SM-Keypad Plus

### Description:

Remote panel mounting LCD multilingual text keypad display to IP54 (NEMA12) with the additional “Help” key.

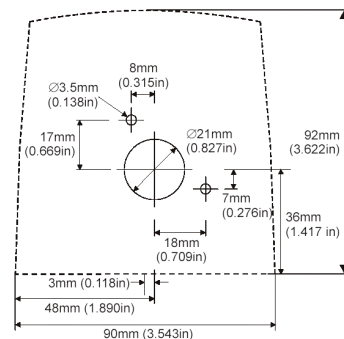
- For remote panel mounting only
- Multi-lingual – 3 lines of text (English, French, Spanish, German & Italian)
- Help function key
- Connects to the RS485 Modbus RTU port on the drive via standard RJ45 connector
- Simple panel cut-out - 21mm hole
- Fixed keypad on drive remains active
- A PC software tool enables you to set up your own text lines.

•Exactly the same LCD keypad as used by Unidrive SP



### Compatibility:

- **Commander SK – all sizes**
- **Unidrive SP**
- **Commander SX (IP66)**



## Parameter Memory Stick

Ordering Code: SmartStick

### Description:

Upload drive parameters to the SmartStick for storage or for easy setup of identical drives or for downloading to replacement drives.



### •SmartStick

- 1 parameter configures as:

•**Read** - program the drive with contents

•**Program** - Drive parameter set loaded onto SmartStick

•**Boot** - Loads parameters at power up (and can then be removed) - Read only and can't be changed!

### Compatibility:

- Commander SK – all sizes



## Fieldbus Option Modules

Ordering Code: SM-PROFIBUS DP

SM-DeviceNet

SM-CANopen

SM-INTERBUS

SM-Ethernet (end 2004)



### Description:

The most popular industrial fieldbus protocols are available in the SM range of option modules.

One option slot in sizes **B & C** allows an SM fieldbus option and other specified SM option modules to be fitted.

Use fieldbus firmware version 3.0 or higher for complete compatibility for the entire range of AC drives.



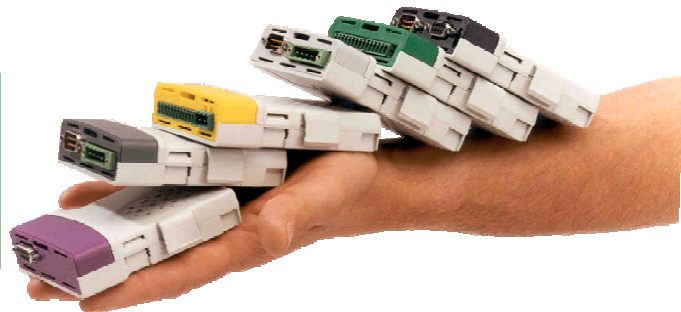
**ETHERNET**  
(TCP/IP)

**MODBUS.ORG**



### Compatibility:

- Commander SK sizes B & C
- Unidrive SP
- Commander SX (IP66)



## Extended I/O

Ordering Code: SM-I/O Lite

### Description:

Additional I/O option with the following connections:

- 0V
- $\pm 10V$  **bi-polar** or 4-20mA Analogue input
- 0-10V or 4-20mA Analogue output
- +24V
- Digital input
- Digital input
- **Encoder B** or Digital input
- **Encoder B\**
- **Encoder A**
- **Encoder A\**
- **0V**
- **Encoder +5V**
- Relay
- Relay
- Relay



This "**Encoder Speed Reference**" input is not a true quadrature counter - therefore applications which require accuracy when operating close to zero speed will not be possible. Therefore, generally this option cannot be used for position applications but is more suited to applications that require accurate speed holding and speed following.

### Compatibility:

- **Commander SK sizes B & C**
- **Unidrive SP**



## Extended I/O with Real-time-clock

Ordering Code: SM-I/O Timer

### Description:

Real-time-clock for scheduling drive running as well as the following additional I/O connections:

- 0V
- $\pm 10V$  **bi-polar** or 4-20mA Analogue input
- 0-10V or 4-20mA Analogue output
- +24V
- Digital input
- Digital input
- **Encoder B** or Digital input
- **Encoder B\**
- **Encoder A**
- **Encoder A\**
- **0V**
- **Encoder +5V**
  
- Relay
- Relay
- Relay

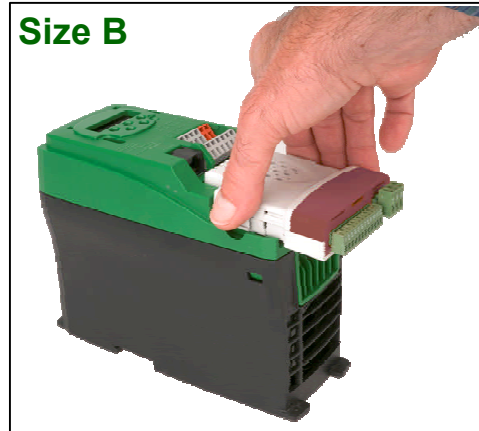
### Real Time Clock

(Year, Month, Date, Week day,  
Hour, Minute, Second)

### Compatibility:

- **Commander SK sizes B & C**
- **Unidrive SP**

**Size B**



This "**Encoder Speed Reference**" input is not a true quadrature counter - therefore applications which require accuracy when operating close to zero speed will not be possible. Therefore, generally this option cannot be used for position applications but is more suited to applications that require accurate speed holding and speed following.

**Size C**





# Commander SK



## Commissioning Software

Ordering Code: CTSoft

(comes free-of-charge with product CD ROM)

### Description:

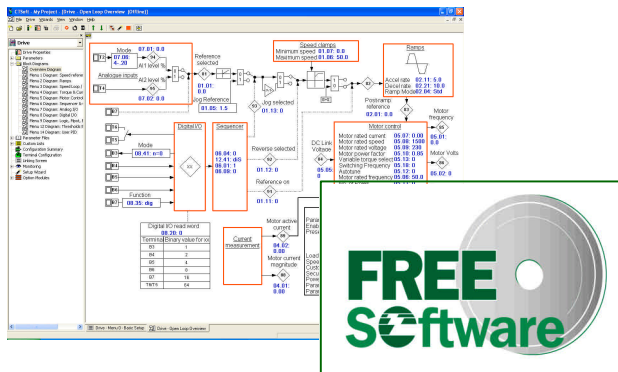
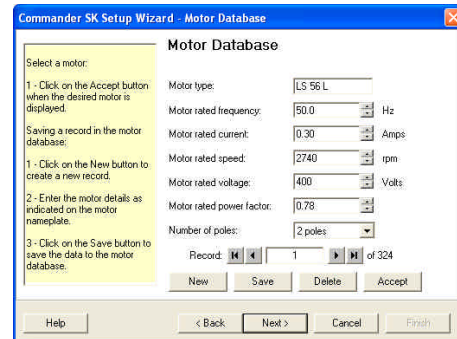
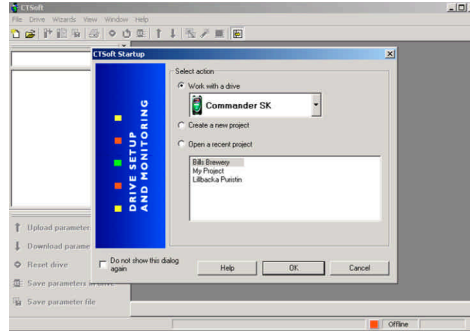
Software for your PC or laptop which allows you to commission and store parameter settings.

Use with CT Comms Cable.

- Drive Set up & Monitoring Software Tool - this one software package handles all key CT drive products

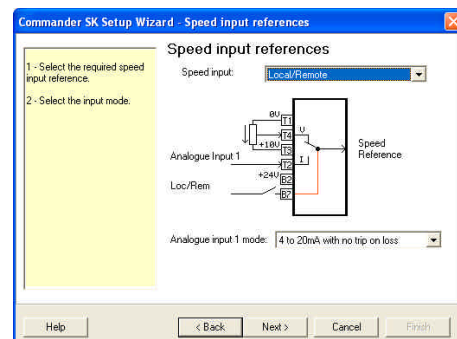
- Upload / download / store parameter set-ups

- Easy set up Wizards



**Compatibility:**

- Commander SK – all sizes
- Unidrive SP





## PLC Function Programming Software

Ordering Code: SyPTLite

(comes free-of-charge with product CD ROM)

### Description:

Software for your PC or laptop which allows you to program PLC functions within the Drive.

Use with **LogicStick** and **CT Comms Cable**.

- SyPTLite: A ladder diagram editor allowing the development of application programs (30-50 rungs typical)

- IEC 61131-3 environment - same as leading PLC programmers

- Library of Standard Function Blocks

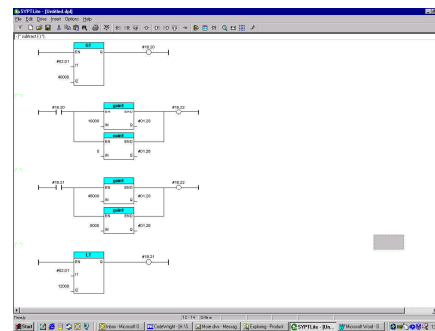
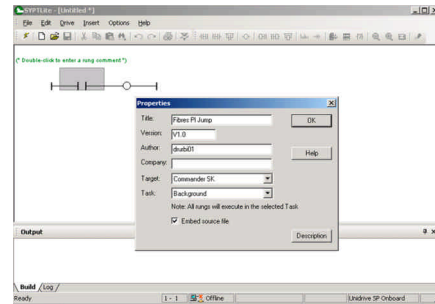
- Self Documenting

- Fully Compatible with Unidrive SP

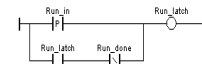


### Compatibility:

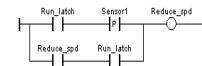
- Commander SK – all sizes
- Unidrive SP



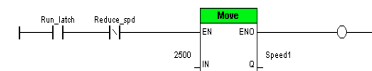
(\* Detect a positive edge transition for the run command \*)



(\* Detect Sensor 1 and latch the reduce speed output \*)



(\* Run at high speed \*)



(\* Set the low speed for the conveyor \*)



## PLC Function Stick

Ordering Code: LogicStick

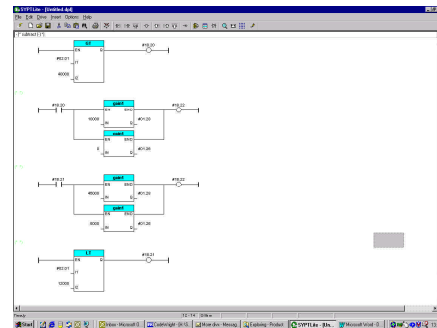
### Description:

The LogicStick plugs into the front of the drive and enables you to program PLC functions within the drive.



Use with **SyPTLite software** and the **CT Comms Cable**.

- Nano and micro PLCs can be easily replaced by LogicStick
- Memory storage for application or customer specific functionality
- Application Programming using SyPT Lite - IEC61131-3 (Industry Standard Ladder)



### Compatibility:

- **Commander SK – all sizes**



## Connecting Cable for PC

Ordering Code: CT Comms Cable

### Description:

Cable with isolated RS232 to RS485 converter. For connecting your PC / laptop to the drive when using CTSOft or SyPTLite.

Use with **SyPTLite PLC** Function software or **CTSOft** commissioning software.

SELV isolation rated for safety and reliability.

### Compatibility:

- **Commander SK – all sizes**
- **Unidrive SP**
- **Commander SX (IP66)**

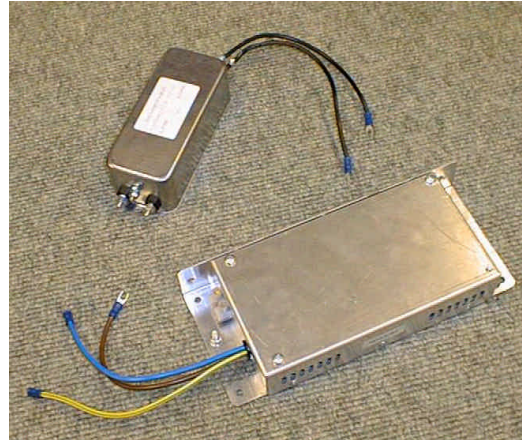


## Additional EMC Filters

Ordering Code:

EMC Footprint Filters:

- Size A - 1 Phase EMC Filter
- Size B - 1 Phase EMC Filter
- Size B - 3 Phase EMC Filter
- Size C - 1 Phase EMC Filter
- Size C - 3 Phase EMC Filter



Low Earth Leakage EMC Filters:

- Size A - 1 Phase Low Earth Leakage EMC Filter
- Size B - 1 Phase Low Earth Leakage EMC Filter

Description:

The EMC footprint filters are designed to operate together with the drive's own internal EMC filter in areas of sensitive equipment.

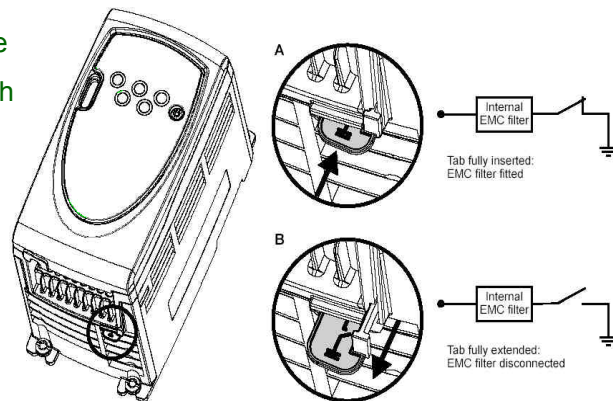
In areas where EMC filtering is required and earth leakage current interferes with the protection equipment (i.e. RCD circuit breakers) the range of low earth leakage EMC filters can be used.

The drive's integral EMC filter must be disconnected when using the low earth leakage EMC filters.



**Compatibility:**

- Commander SK – all sizes



## Top NEMA 1 Cover

### Ordering Code:

### EMC Footprint Filters:

- Size A – NEMA 1 Top Cover
- Size B – NEMA 1 Top Cover
- Size C - NEMA 1 Top Cover

### Description:

These plastic top covers give the drives a NEMA 1 rating when fitted. They are designed to simply clip on to the top of the drive giving additional protection for falling dust or falling water droplets.

### Compatibility:

- **Commander SK – all sizes**



## Bottom Glanding Metal Cover

**Ordering Code:****EMC Footprint Filters:**

- Size A – Gland Cover
- Size B – Gland Cover
- Size C - Gland Cover

**Description:**

These metal bottom glanding covers are ideal for Commander SK installations using cable conduit entry or for terminating incoming cables using gland fittings.

**Compatibility:**

- Commander SK – all sizes

